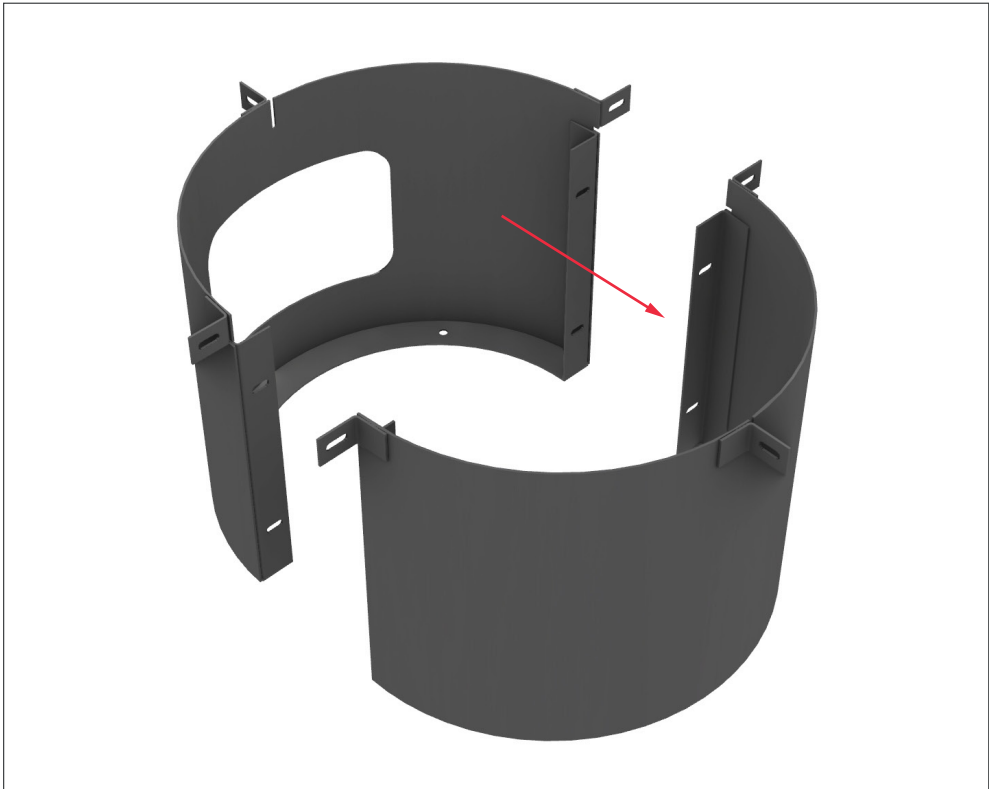
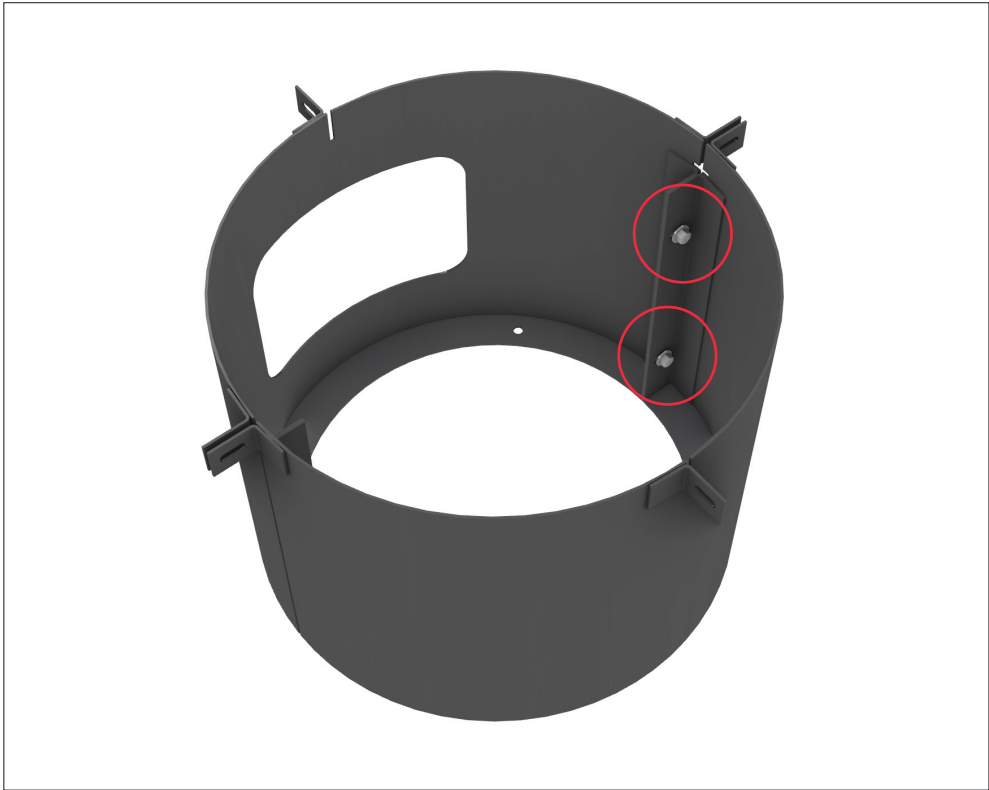


Lagerström
Drusilla 1000 - Cast in ground
Instructions



01.
Place the 2 base parts by each other.



02.
Connect the 2 base parts together using :
4st M10x20 bolts
4st M10 nuts
8st M10 washers

Lagerström
Drusilla 1000 - Cast in ground
Instructions



03.

Firmly attach 4 flat metal
extension rods using :
4st M8x20 bolts
4st M8 nuts
8st M8 washers

Lagerström

Drusilla 1000 - Cast in ground

Instructions



04.

Place the grill top part on the connected base as shown.

IMPORTANT!

Place the grill so that the net handle is on the opposite side to the hole opening (window) in the base part.



05.

Connect the grill top to the base as shown using :

4st M10x20 bolts

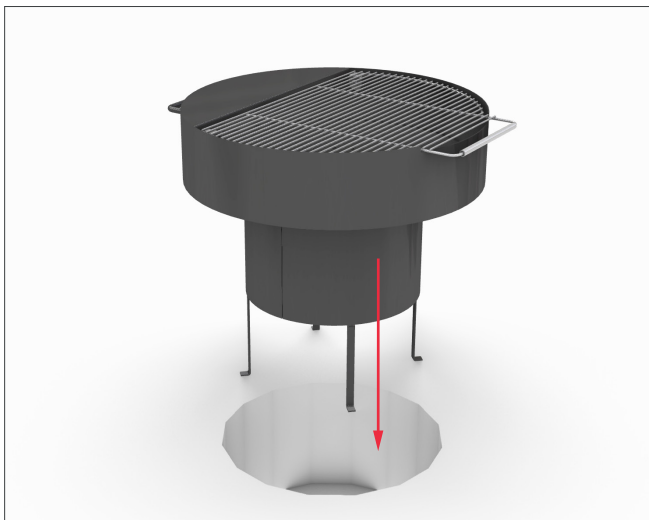
4st M10 nuts

8st M10 washers

Lagerström

Drusilla 1000 - Cast in ground

Instructions

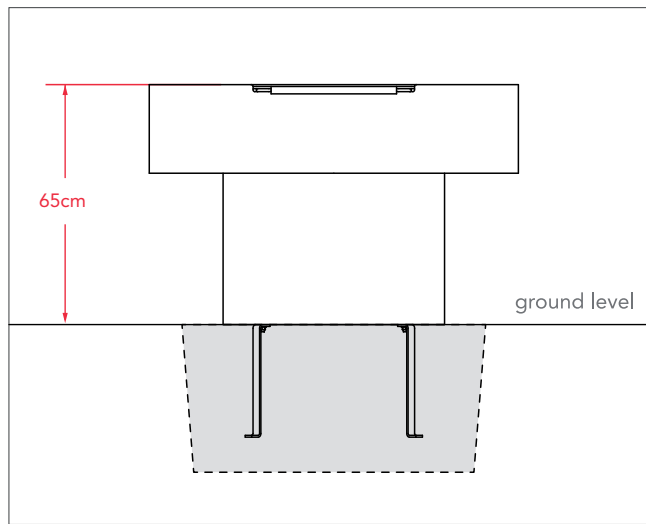


Cast concrete in the hole and let it cure.

Once the concrete has dried, remove the temporary supports.

06.

Dig a hole in the ground in the chosen location for the grill. The hole dimensions should be at least Dia. 80cm and 40cm deep. Then, place the grill in the hole. See that the net handle is pointing towards the wanted direction for the user. Secure the positioning and height with temporary supports. Make sure the bottom edge of the grill base is at ground level. The grill top edge at 65cm over ground level.



The grill is fully mounted and anchored to the ground.