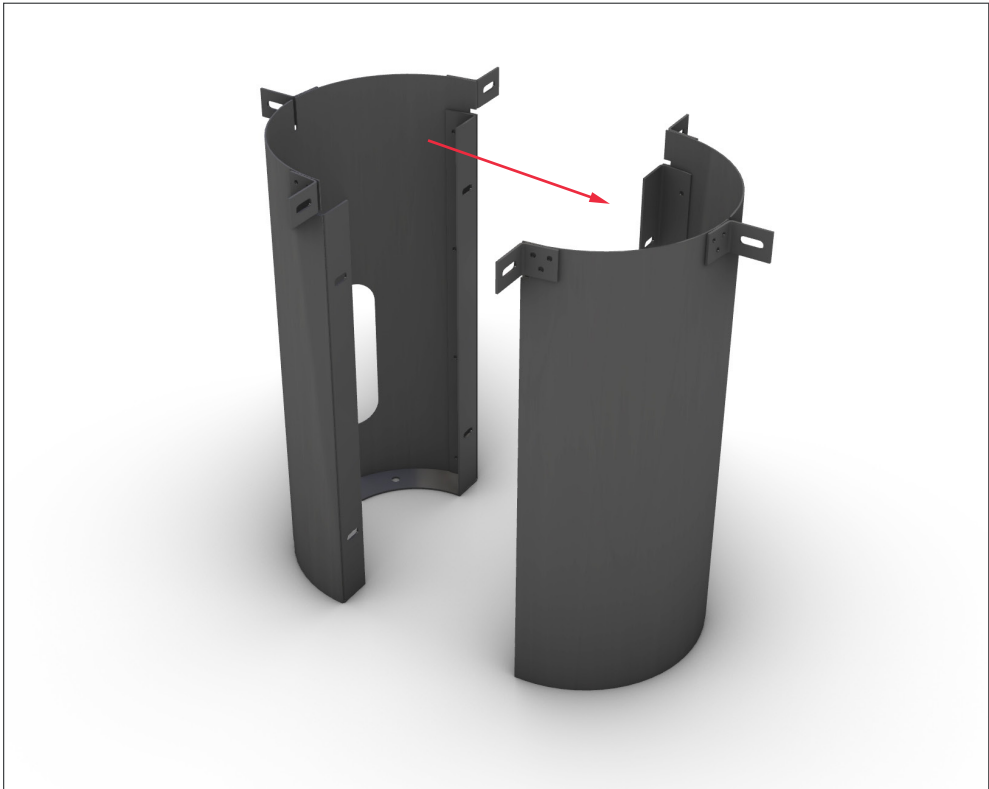
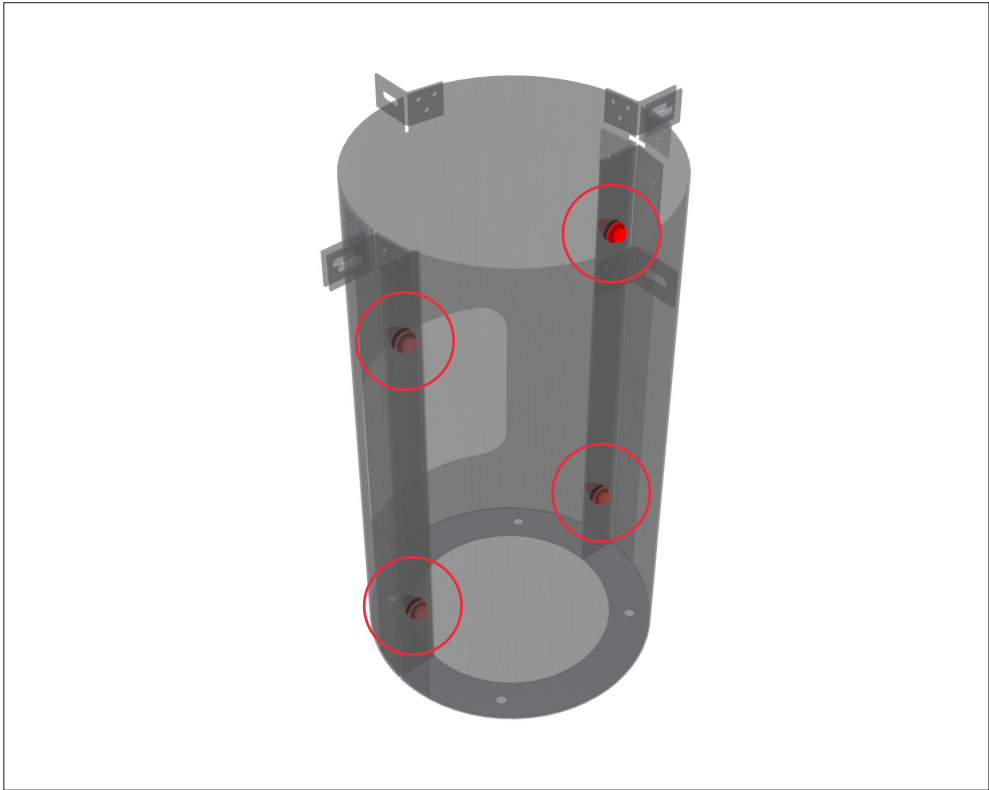


**Lagerström**  
Drusilla 1050 - Cast in ground  
Instructions



**01.**

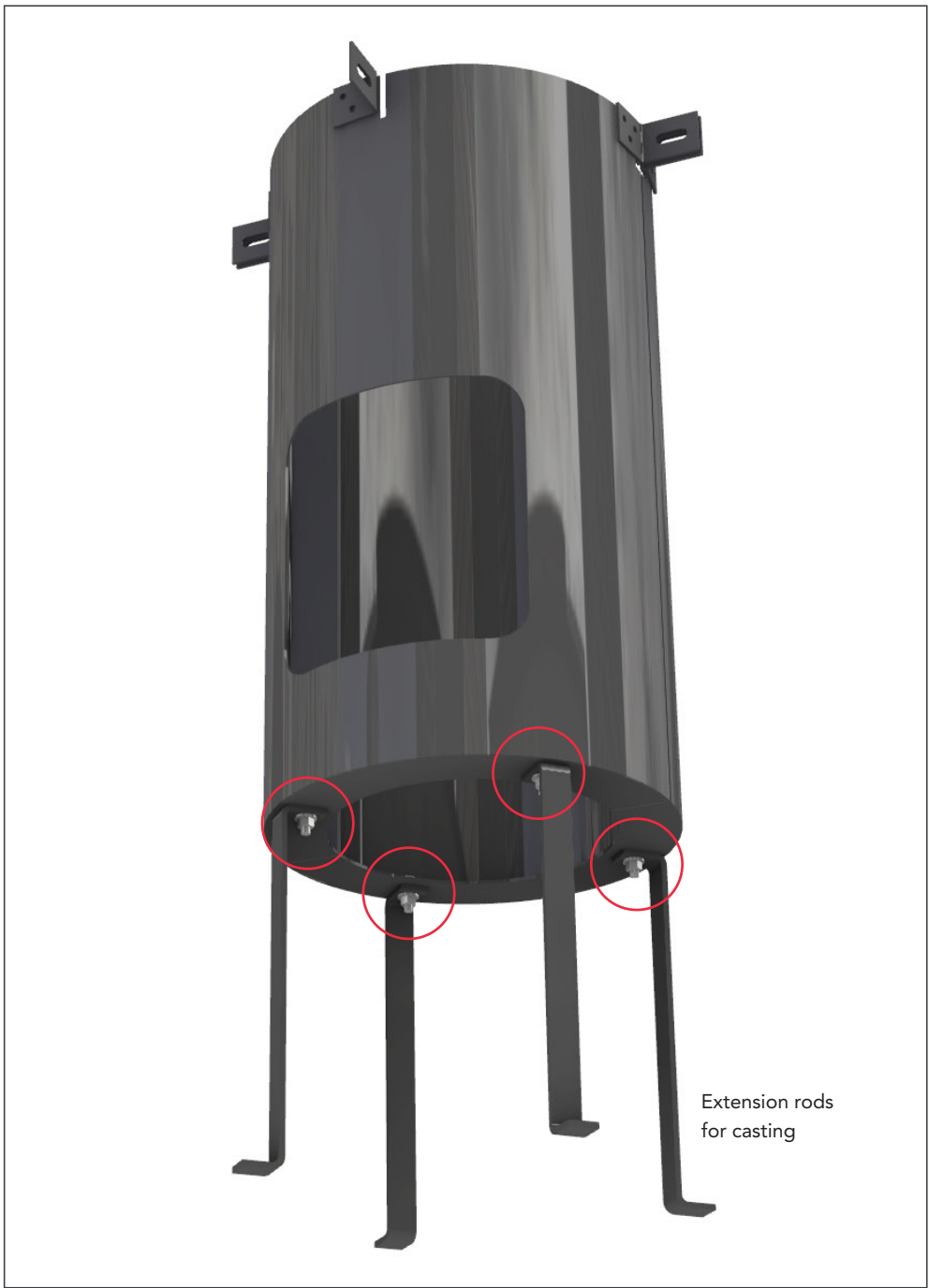
Place the 2 base parts by each other.



**02.**

Connect the 2 base parts together using :  
4st M10x20 bolts  
4st M10 nuts  
8st M10 washers

**Lagerström**  
Drusilla 1050 - Cast in ground  
Instructions



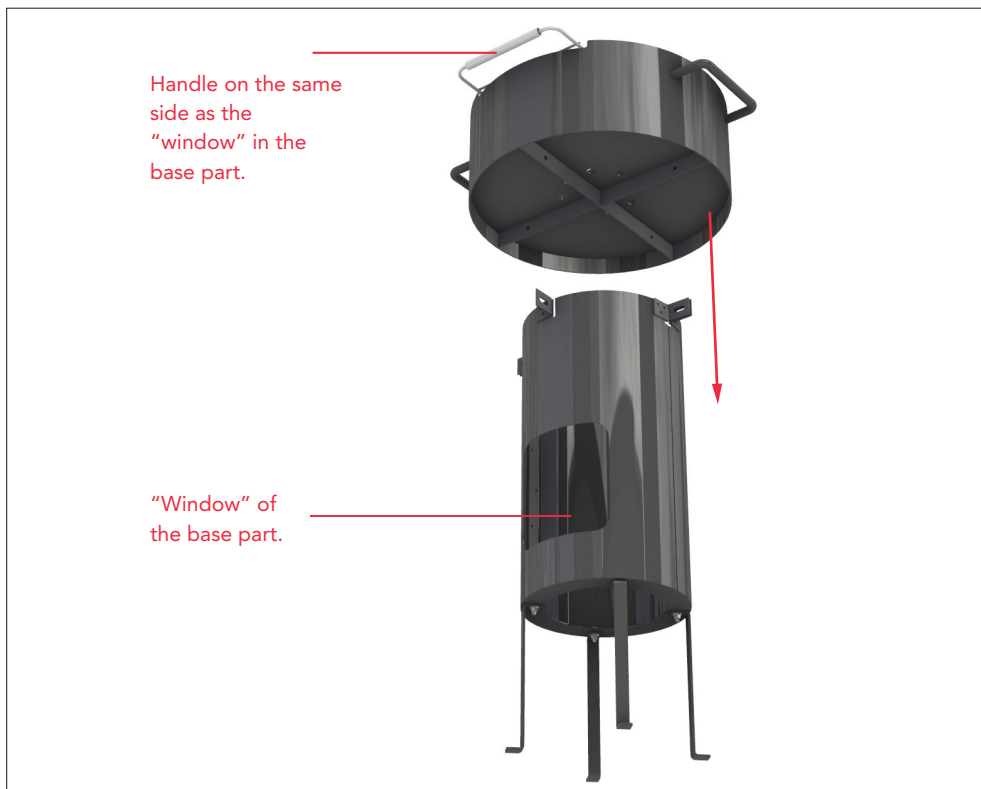
**03.**

Firmly attach 4 flat metal  
extension rods using :  
4st M8x20 bolts  
4st M8 nuts  
8st M8 washers

# Lagerström

## Drusilla 1050 - Cast in ground

### Instructions



#### 04.

Place the grill top part on the connected base as shown.

#### IMPORTANT!

Place the grill so that the net handle is on the same side as the hole opening (window) in the base part.



#### 05.

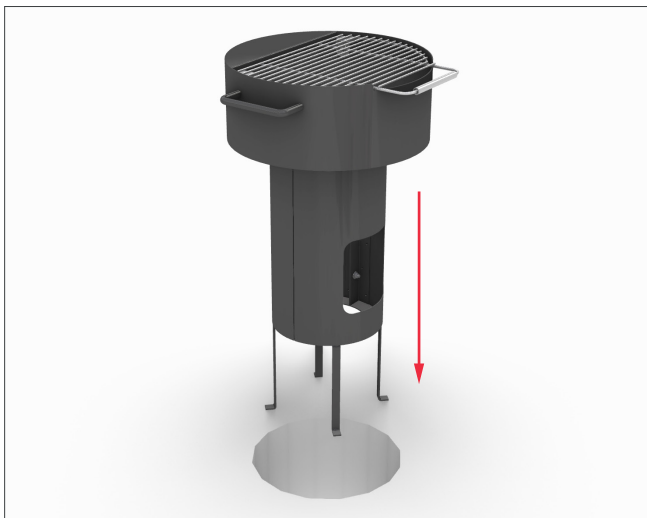
Connect the grill top to the base as shown using :

- 4st M10x20 bolts
- 4st M10 nuts
- 8st M10 washers

## Lagerström

### Drusilla 1050 - Cast in ground

#### Instructions



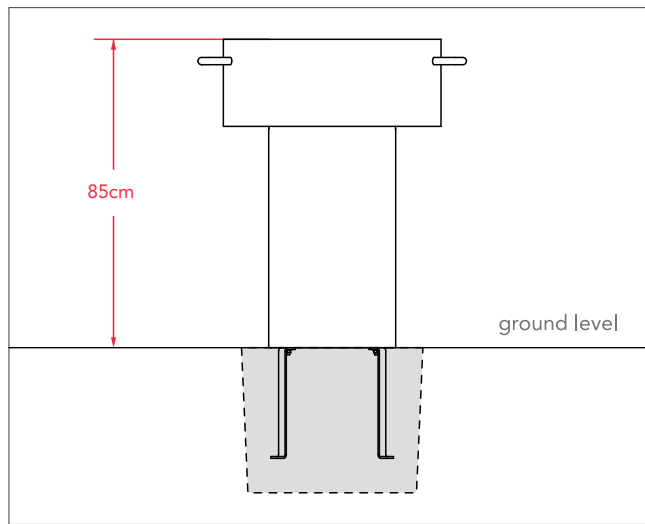
Cast concrete in the hole and let it cure.

Once the concrete has dried, remove the temporary supports.

#### 06.

Dig a hole in the ground in the chosen location for the grill. The hole dimensions should be at least Dia. 50cm and 40cm deep. Then, place the grill in the hole. See that the net handle is pointing towards the wanted direction for the user.

Secure the positioning and height with temporary supports. Make sure the bottom edge of the grill base is at ground level. The grill top edge at 85cm over ground level.



The grill is fully mounted and anchored to the ground.