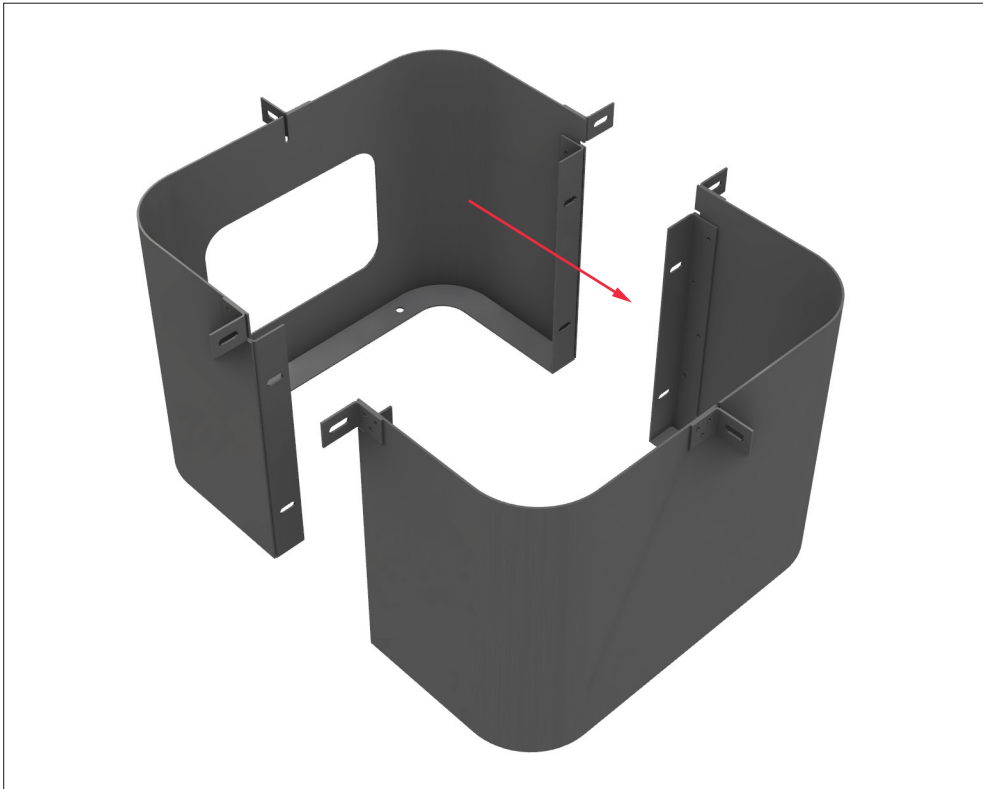


Lagerström
Mandus 1100 - Bolted to ground
Mounting instructions



01.

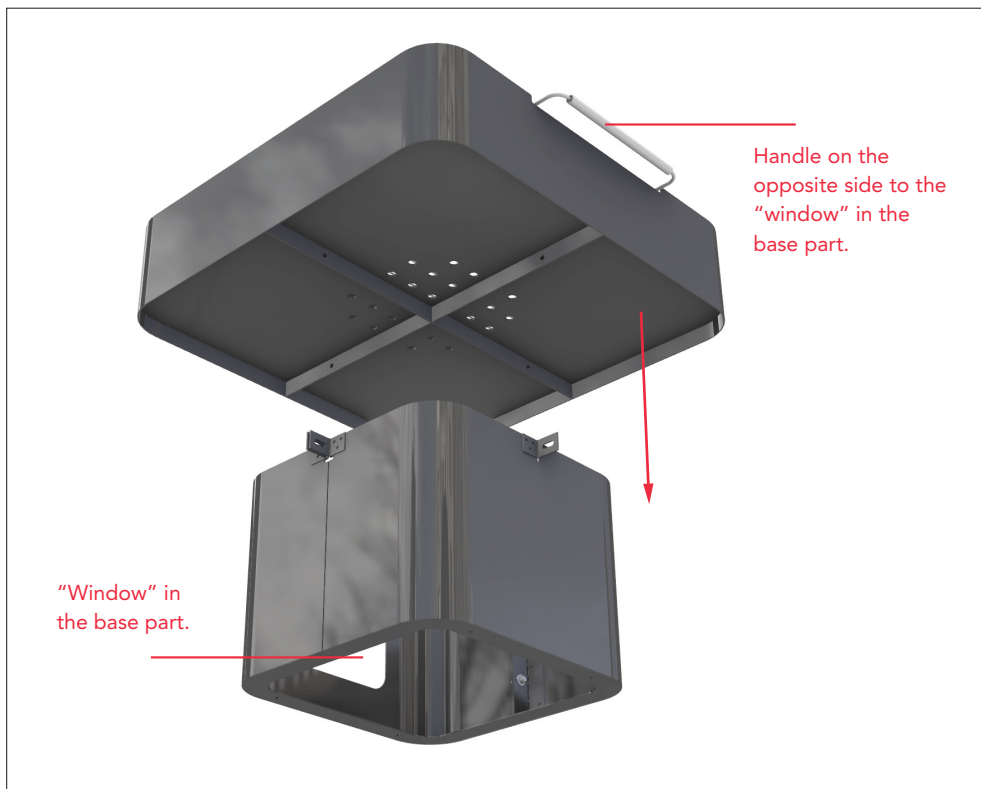
Place the 2 base parts by each other.



02.

Connect the 2 base parts together using :
4st M10x20 bolts
4st M10 nuts
8st M10 washers

Lagerström
Mandus 1100 - Bolted to ground
Mounting instructions



03.

Place the grill top part on the connected base as shown.

IMPORTANT!

Place the grill so that the net handle is on the opposite side to the hole opening (window) in the base part.



04.

Connect the grill top to the base as shown using :
4st M10x20 bolts
4st M10 nuts
8st M10 washers

Lagerström

Mandus 1100 - Bolted to ground

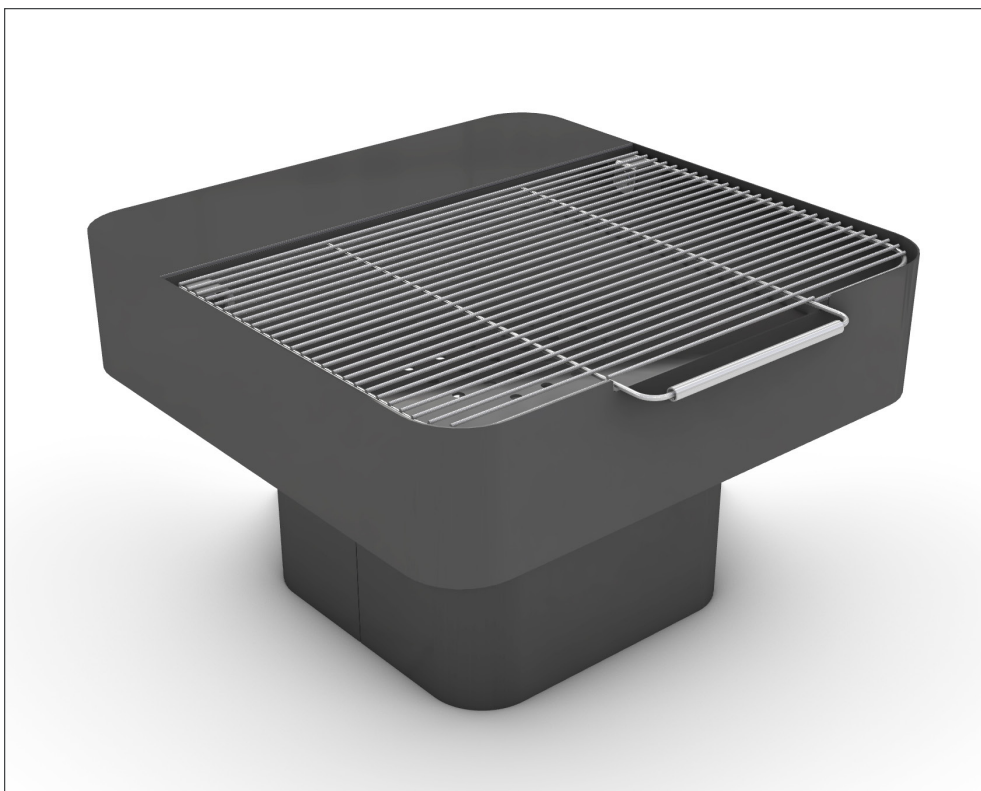
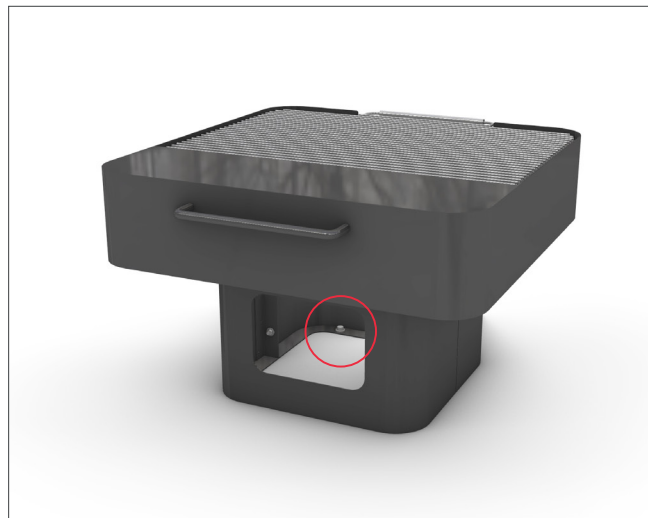
Mounting instructions



Move the grill aside. Drill 4 deep M12 holes in the ground surface.(at least 120mm).
Move the grill back into place and anchor with 4st M12 expanding bolts. (access through the window in the base part)

05.

Place the grill in the chosen position. Make sure the ground surface is level and clean of obstructions. See that the net handle is pointing towards the wanted direction for the user. Once the grill is in place, through the window in the base part, mark the 4 spots to drill the attachment holes in the ground surface.



The grill is fully mounted and anchored to the ground with bolts.